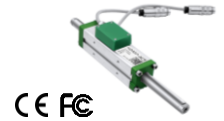


KLM-40-0F2 KOMP-ACT LINEAR MOTOR

KOMP-ACT

With programmable strokes and automatic calibration



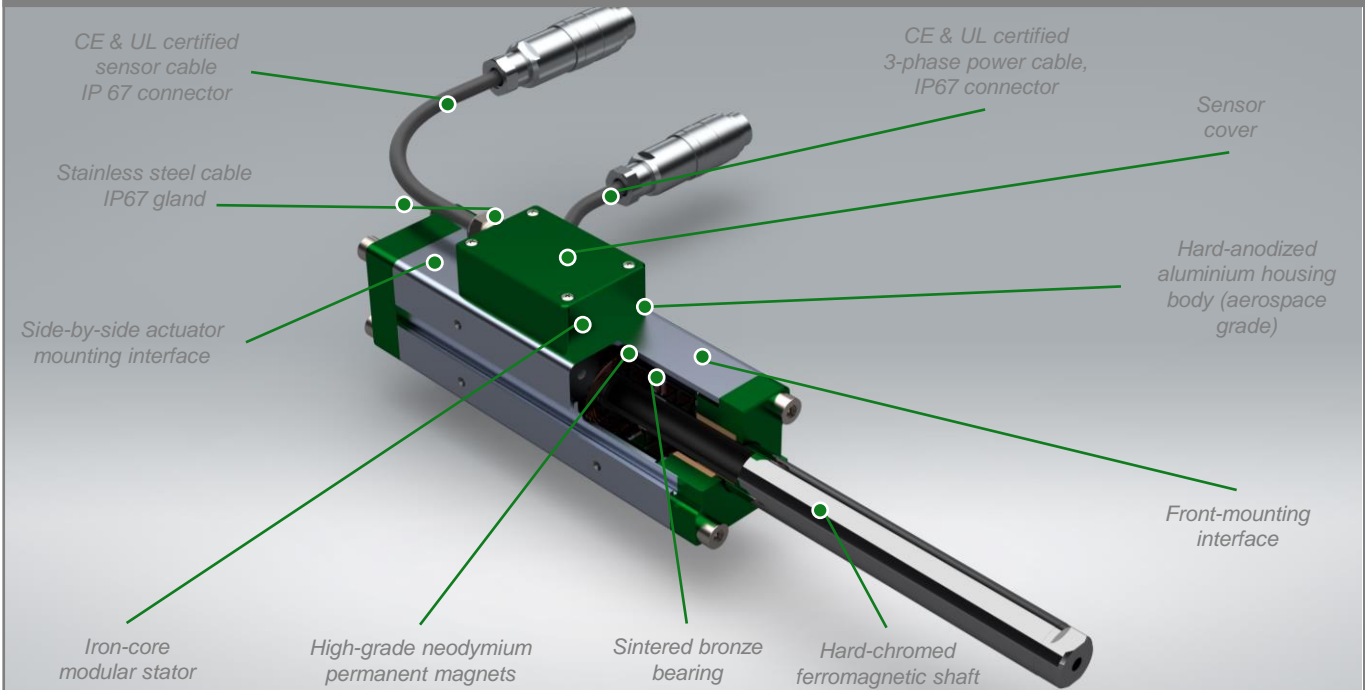
TECHNICAL DATA

Continuous force	F_c	[N]	15
Peak Force	F_p	[N]	45
Continuous current	I_c	[A]	2
Peak current	I_p	[A]	6
Phase resistance	R_p	[Ohm]	3.3
Stroke length	S_{max}	[mm]	40, 80, 120, 160, 200, 240
Repeatability		[mm]	± 0.150
Accuracy		[mm]	± 0.5
Acceleration	Acc_{max}	[m/s ²]	22.5
Max. Average Speed	V_{max}	[m/s]	2
Power supply	DC	[V]	24 or 48
Operating temperature	T_{op}	[°C]	-20...+45
Slider mass	M_s	[g]	200 + 1 gram / stroke
Stator body mass	M_T	[g]	825
Rod bearings	Sintered bronze		
Housing Material	Hard-anodized aluminium (aerospace grade)		
Shaft Material	Hard chrome plated steel		

Notes:

- KLM actuators shall be used with KOMP-ACT's electronic controller KDRV-1-MK

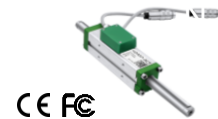
PRODUCT DESCRIPTION



KLM-40-0F2 KOMP-ACT LINEAR MOTOR

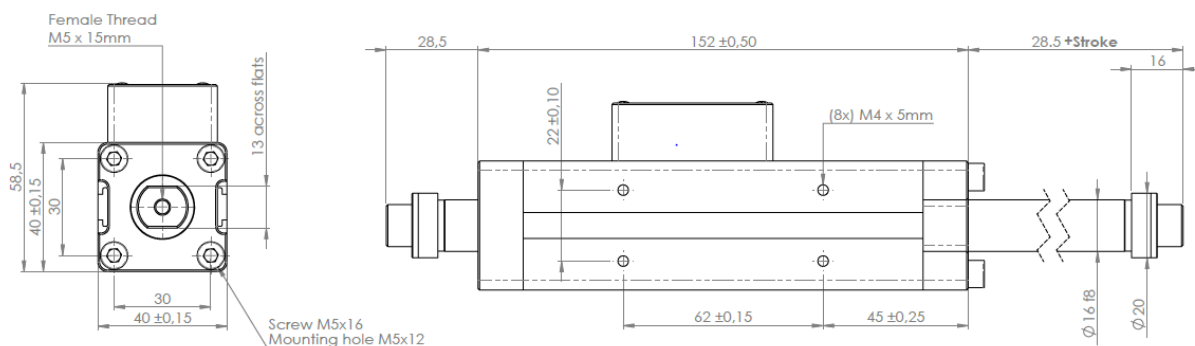
KOMP-ACT

With programmable strokes and automatic calibration



CE FC

MOUNTING INTERFACE



ORDERING DATA

BODY TYPE	STROKE (mm)	TYPE	CABLE TYPE	TYPE	LENGTH	
KLM-40-0F2	40	KLM-40-0F2-040	Power cable	KLA-PWR-X-03-HF-A	3 m	
	80	KLM-40-0F2-080		KLA-PWR-X-05-HF-A	5 m	
	120	KLM-40-0F2-120		KLA-PWR-X-10-HF-A	10 m	
	160	KLM-40-0F2-160	Sensor cable	KLA-SNR-X-03-HF-A	3 m	
	200	KLM-40-0F2-200		7 x 0.25 mm ²	KLA-SNR-X-05-HF-A	5 m
	240	KLM-40-0F2-240		KLA-SNR-X-10-HF-A	10 m	

Notes:

- Both power and sensors cables are shielded cables which Outer sheath made of PVC, Outer Diameter is 6 mm.
- On both extremities of each cable, there is one ferrite with 16 mm of outer diameter and 52 mm length.
- Operating temperature of both cables is in the range of -20° C to + 75° C.
- Cables are furnished with required connectors.
- Custom length of cables is available on request.