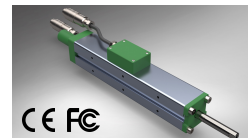


KLA-40-040-0F3-2 ELECTRIC LINEAR ACTUATOR

KOMP-ACT



With programmable motion and automatic calibration

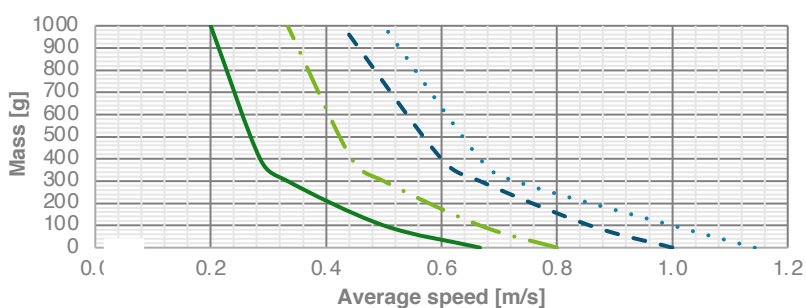
TECHNICAL DATA

Continuous force	F_c	[N]	21
Peak Force	F_p	[N]	70
Continuous current	I_c	[A]	1.8
Peak current	I_p	[A]	6
Phase resistance	R_p	[Ohm]	6.6
Max Stroke length	S_{max}	[mm]	40
Repeatability		[mm]	± 0.1
Accuracy		[mm]	± 0.5
Acceleration	Acc_{max}	[m/s ²]	100
Top speed	V_{max}	[m/s]	2.0
Max cycles per minute (*)			200
Lifecycle (**)	Max cycles		20 Mio.
Power supply	DC	[V]	24 or 48
Operating temperature	T_{op}	[°C]	-20...+45
Slider mass	M_s	[kg]	0.26
Total mass	M_T	[kg]	1.46
Rod bearings	Sintered bronze		
Housing Material	Hard-anodized aluminium (aerospace grade)		
Shaft Material	Hard chrome plated steel		
Notes:	<ul style="list-style-type: none"> • KLA actuators shall be used with KOMP-ACT's electronic controller KDRV-1-MK • (*) For horizontal applications (unsupported) • (**) Horizontally tested, unsupported, with a mass of 500 grams at 200 cycles per min at 0.4 m/s speed 		

OPERATION PERFORMANCE

Actuator speed VS. attached mass: various strokes

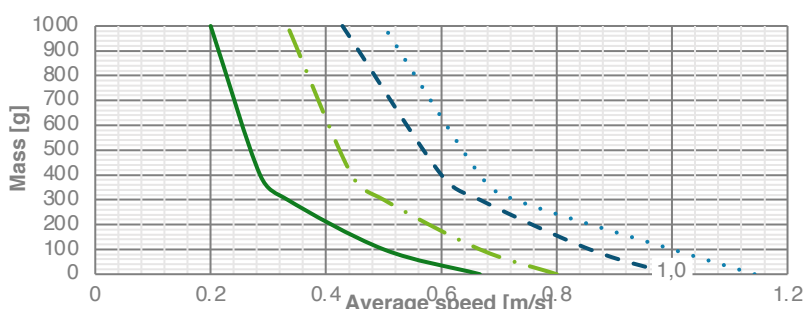
Horizontal Operation



Transfer time in ms for an applied mass

Mass [g]	Stroke [mm]			
	10	20	30	40
0	15	25	30	35
100	20	30	35	40
300	30	40	45	50
400	35	45	50	60
1000	50	60	70	80

Vertical Operation



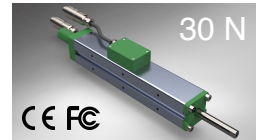
Transfer time in ms for an applied mass

Mass [g]	Stroke [mm]			
	10	20	30	40
0	15	25	30	35
100	20	30	35	40
300	30	40	45	50
400	35	45	50	60
1000	50	60	70	80

Stroke — 10mm — 20mm — 30mm — 40mm

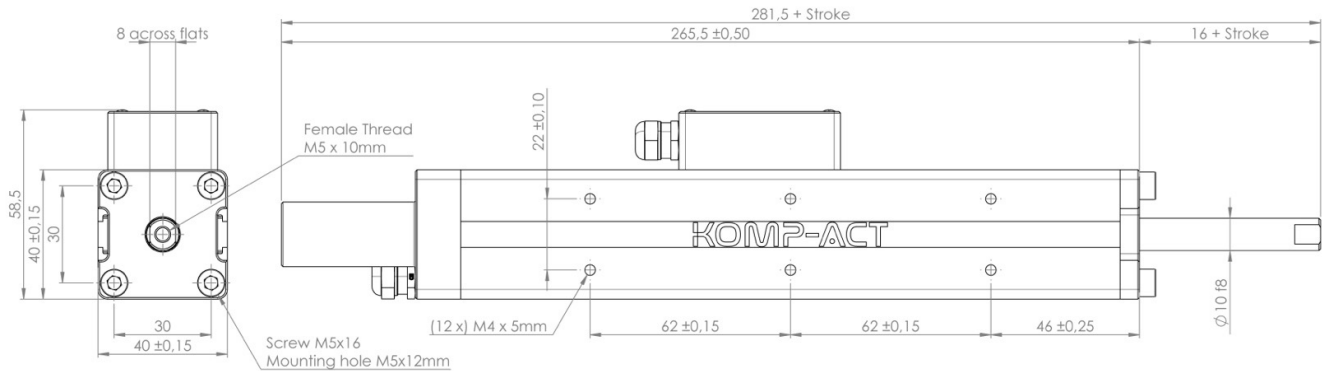
KLA-40-040-0F3-2 ELECTRIC LINEAR ACTUATOR

KOMP-ACT



With programmable motion and automatic calibration

MOUNTING INTERFACE



POWER AND SENSOR CABLES

CABLE TYPE	NOMENCLATURE	DESCRIPTION	LENGTH	EXTERNAL DIAMETER
Power cable	KLA-PWR-X-03-HF-A	3 x 0.50 mm ²	3 m	6 mm
	KLA-PWR-X-05-HF-A	Shielded cable	5 m	
	KLA-PWR-X-10-HF-A	Outer sheath made of PVC	10 m	
Sensor cable	KLA-SNR-X-03-HF-A	7 x 0.25 mm ²	3 m	6 mm
	KLA-SNR-X-05-HF-A	Shielded cable	5 m	
	KLA-SNR-X-10-HF-A	Outer sheath made of PVC	10 m	

Notes:

- On both extremities of each cable, there is one ferrite with 16 mm of outer diameter and 52 mm length.
- Operating temperature of both cables is in the range of -20° C to + 75° C.
- Cables are furnished with required connectors.
- Custom length of cables is available on request.

PRODUCT DESCRIPTION

